

DRUM TYPE PRV



Offer High Flow Drum Type Pressure Reducing Valves Suitable for Air, Water, Steam, Gas & Oil etc.

Technical Specifications :

Body	C.I. / Ductile Iron / Bronze / Stainless Steel
Seat	Buna - N (Water) / PTFE / Viton (Steam)
Diaphragm	Buna - N (Water) / PTFE / Viton (Steam)
O - Ring	Buna - N / Viton
Spring	S.Steel
Adjusting Stem	Stainless Steel
Ends	Flanged Ends
Media	Air, Water, Oil, Gas, Chemical & Steam

Pressure Temperature :

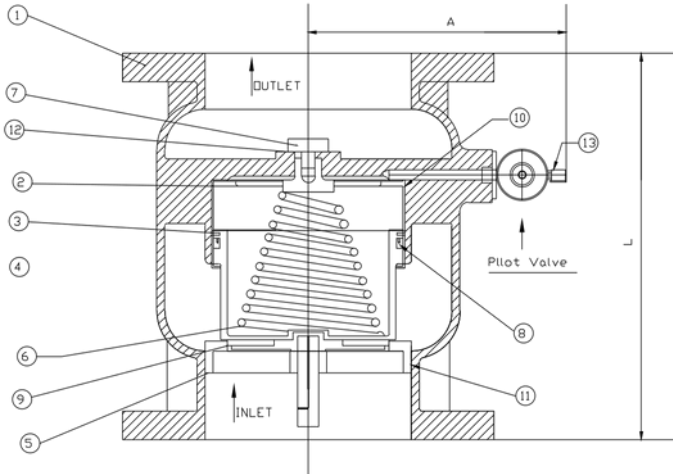
Temperature Range	80 °C (For Water) 180 °C (For Steam)
Maximum Intel Pressure	C.I. Body - 14 Kg/cm ² WCB / S.S. Body - 21 Kg/cm ²
Pressure Adjusting Range	1 ~ 7 Kg/cm ² 4 ~ 12 Kg/cm ² (1 Kg/cm ² = 14.2 PSI)

Relevant Standard :

Face to Face of Valve	As Per Manufacturing Standard
Flanges of Valve	As Per ASME B16.5 RF

Features :

- Smart Design with High Flow Characteristics Pressure reducing valve can be installed in water supply, air conditioning and fire control systems to maintain the constant outlet pressure.
- The pressure reducing valve used a sub-valve (pilot valve) to control the main valve. When the outlet pressure reaches the setting range of pressure reducing pilot valve, the pilot valve will automatically sense the outlet pressure and adjusting the pressure of the back pressure chamber in the main valve, so the valve gate can be opened and consequently maintains the outlet pressure.
- The pressure gauge on the pilot valve shows the outlet pressure. When the outlet opens, the valve of the pressure gauge will decrease.



Dimensions: (All Dimension are in mm)

Valve Model	Valve Size		A	L	Weight Approx	CV
	MM	Inch				
DPF - 50	2"	50	180	190	12	75
DPF - 65	2 ½"	65	185	210	15	105
DPF - 80	3"	80	200	225	18	140
DPF - 100	4"	100	222	250	24	260
DPF - 125	5"	125	235	280	32	390
DPF - 150	6"	150	260	310	44	550
DPF - 200	8"	200	300	420	87	1000
DPF - 250	10"	250	335	470	152	1600
DPF - 300	12"	300	370	530	202	2200
DPF - 350	14"	350	415	600	282	3000
DPF - 400	16"	400	420	600	302	4000
DPF - 450	18"	450	-	750	405	5300
DPF - 500	20"	500	-	750	440	6100
DPF - 600	24"	600	-	900	770	9200

No.	Description	Materials
1	Body	C.I. / D.I. / Bronze / S.Steel
2	Cover	S.S. 304 / S.S. 316
3	Plug	S.S. 304 / S.S. 316
4	Piston	S.S. 304 / S.S. 316
5	Piston Guide	S.S. 304 / S.S. 316
6	Spring For Piston	S.S. 304
7	Piston Cover Lock Bolt	M.S. + S.S.
8	V-Seal For Piston	NBR / VITON / EPDM
9	Piston Seal Ring	NBR / VITON / EPDM
10	Flat Ring	NBR / VITON / EPDM
11	O-Ring For Piston Guide	NBR / VITON / EPDM
12	O-Ring For Piston Lock Bolt	NRB / VITON / EPDM
13	Pressure Gauge	Stainless Steel Case