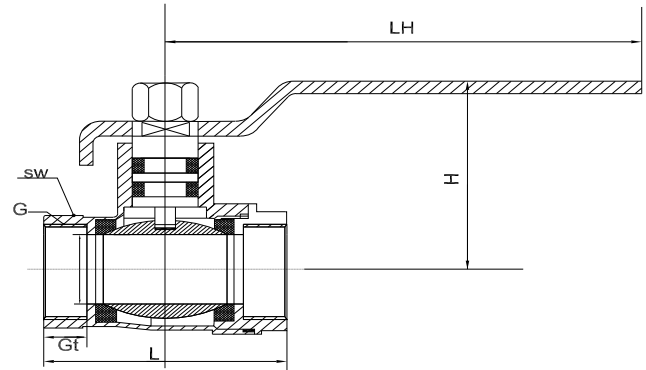


# BALL VALVES

**MODEL NO: GMB 01**

## M.O.C.

Body: Gun Metal (Nickle Plated)  
 Ball: SS304 (Nickle Plated)  
 Handle: SS/MS  
 Seat: PTFE



## Technical standard

1. Normal pressure: 2.0MPa
2. Working medium: water, gas
3. Working temperature : -20°C <t< 100 °C
4. Thread Standard: ISO228

## Technical Details

- Screwed Female Ends to IS 554 / BS 21 / ISO.
- Full Bore, Two Piece Design. Quarter Turn.
- Lever Operated. Provided with Stainless Steel.
- Ball. Premium Quality PTFE Gland Packing and Seating.

## Test Pressure (Hydrostatic) :

Shell : 25 kg/cm<sup>2</sup>g (350 psig)  
 Seat : 16 kg/cm<sup>2</sup>g (225 psig)  
 Maximum Working Temperature : 220°C  
 Suitable For  
 Water, Oil

**NOTE: MODEL SPECIFICATIONS CAN CHANGE AS PER MANUFACTURER STANDARD.**



G	DN	LH	SW	Gt	L	H
1/4	8	44	37	21	10	70
3/8	9.7	44	37	21	10	70
1/2	14	51	40	25	12	85
3/4	19	57	47	31	13	104
1	24	67	51	38	15	104
1 1/4	32	80	61	47	15	122
1 1/2	40	90.5	75.5	54	16	152
2	48	101	82	67	16	152
2 1/2	60.5	130	108.5	80	21.5	225.5
3	74	147	119	97	26	232
4	93	180	145	124	28	250