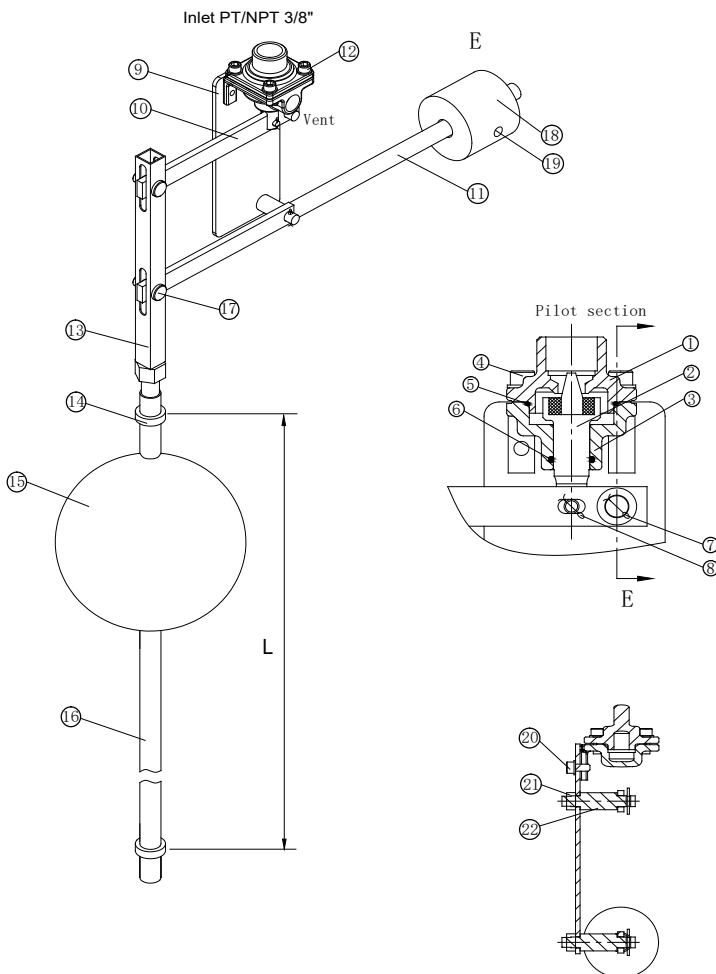
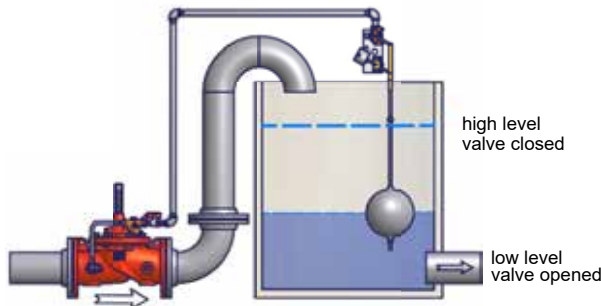


Bi-level Float Control Valve

non-modulating

Bi-level Float Control Valve is hydraulically controlled, diaphragm actuated control valve.

The valve is hydraulically powered to close at preset high level, and close at preset low level regardless of valve



1	Bonnet	Stainless Steel AISI 304
2	Disc	AISI 304+EPDM
3	Body	Stainless Steel AISI 304
4	Bolt+Washer	Stainless Steel AISI 304
5	O-Ring	Rubber NBR
6	O-Ring	Rubber NBR
7	Split pin	Stainless Steel AISI 304
8	Split pin	Stainless Steel AISI 304
9	Plate	Stainless Steel AISI 304
10	Bar1	Stainless Steel AISI 304
11	Bar2	Stainless Steel AISI 304
12	Screw	Stainless Steel AISI 304
13	Up Rod	Stainless Steel AISI 304
14	Stop collar	Stainless Steel AISI 304
15	Float	Stainless Steel AISI 304
16	Low rod	Stainless Steel AISI 304
17	Pin roll & split pin	Stainless Steel AISI 304
18	Weight	Stainless Steel AISI 304
19	Set Screw	Stainless Steel AISI 304
20	Nut+Washer	Stainless Steel AISI 304
21	Nut	Stainless Steel AISI 304
22	Roller	Stainless Steel AISI 304