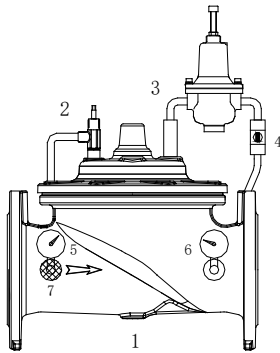
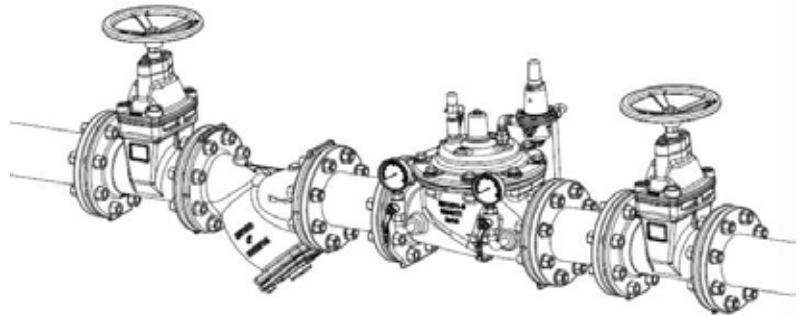


Pressure Reducing Valve

adjustable

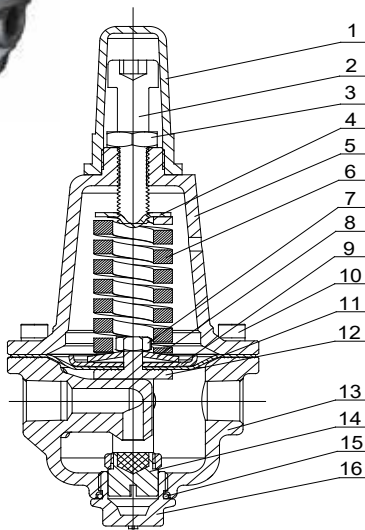


- 1. Main Valve
- 2. Needle Valve
- 3. P200
- 4. Ball Valve
- 5. Inlet Pressure Gauge(Optional)
- 6. Outlet Pressure Gauge(Optional)
- 7. Strainer



Function:

- 1.Reduce the higher upstream pressure and keep the downstream pressure as the pilot setting
- 2. Regardless of variation of upstream pressure or downstream flow.



No.	Description	Material	Standard
1	Cap	Plastic	ABS
2	Adjusting Screw	Stainless Steel	AISI 304
3	Jam Nut	Stainless Steel	A2
4	Spring table	Stainless Steel	AISI 304
5	Bonnet	Stainless Steel	AISI 304
6	Spring	Spring Steel	SiCrV
7	Nut	Stainless Steel	A2
8	Spring table	Spring Steel	Mn-steel+Ni Plated
9	Fixing Holder	Stainless Steel	AISI 304
10	Screw	Stainless Steel	A2
11	Diaphragm	Nylon Reinforced Rubber	EPDM+Nylon
12	Yoke	Stainless Steel	AISI 304
13	Body	Stainless Steel	AISI 304
14	Disc	Stainless Steel+Rubber	AISI 304+EPDM
15	O-Ring	Rubber	NBR
16	Plug	Stainless Steel	AISI 304