

# SINGLE PLATE CHECK VALVES

## MATERIAL SPECIFICATIONS

<b>Body and Disk</b>	Cast iron I.S. 210 FG 200 Cast Steel ASTM A-216 Grade WCB Cast Stainless Steel CF8 & CF8M
<b>Seat and Body 'O' rings</b>	Nitrile, EPDM, Viton, Silicon, PTFE
Other materials available on special request	

## INSTALLATION

The short face to face dimensions and the low weight guarantee a simple and space saving installation between the bolts of the connecting flanges. Flange sealing is obtained by O-rings.

## APPLICATION:

Water, Air, Oil, Gas, Steam or any other fluid.

## DESIGN FEATURE:

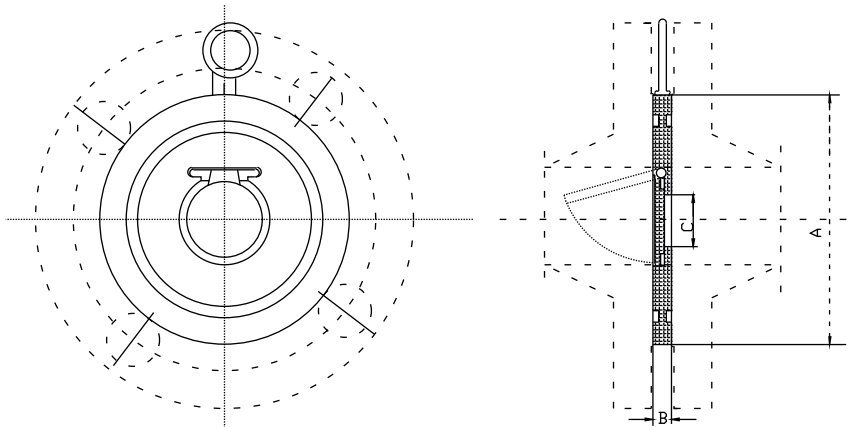
The design has distinct advantages over conventional swing check valves.

- Structurally sound
- Hydraulically engineered
- Stronger, lighter and smaller in size
- It weighs 1/8th weight of conventional valve
- Flexible installation: Can be installed in horizontal or in vertical line, without any special pipe support.
- Water Hammer and slamming almost eliminated.
- Lower pressure drop, hence lower energy loss.
- The light weight and short face to face dimensions of valve make it easy to install between standard gasket and line flanges.



## SIZES:

40mm to 600mm



NB mm	A	B	C	Weight kg.
40	86	17	25	0.5
50	110	17	32	0.9
65	116	17	39	1.3
80	137	18	52	1.5
100	155	18.5	71	2.2
125	185	19	93	3.2
150	205	20	114	4.8
200	260	27	155	10
250	317	28	195	14
300	370	38	230	23
350	435	38	270	35
400	491	38	310	51
450	535	50	360	62
500	600	55	406	98
600	700	55	490	149